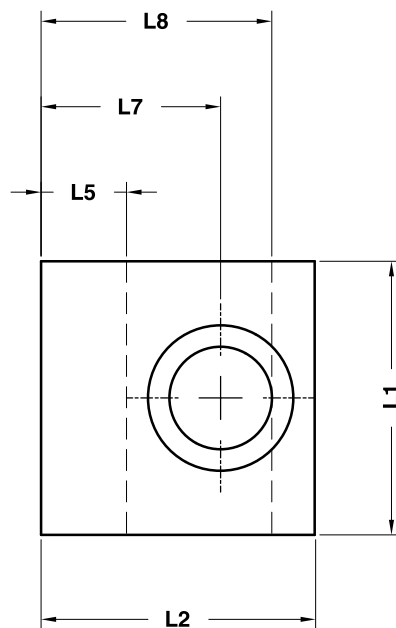
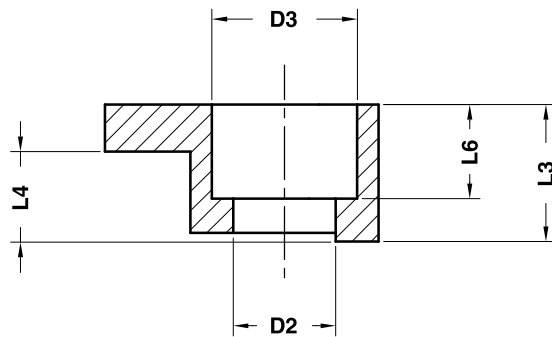


TOE CLAMP FOR BUSH SELF-LUBRICATING DIN 9832
HALTESTÜCK FÜR BUCHSE DIN 9832
RITEGNO PER BOCCOLA AUTOLUBRIFICANTE DIN 9832

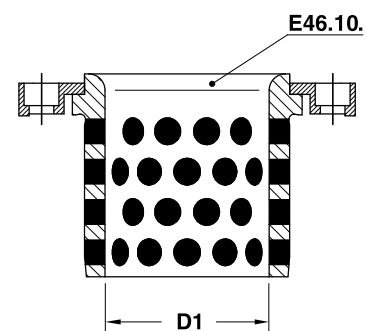


Notes

Material: CK45

Screw included and delivered in plastic bag of 4 pieces each.

Application example



ORDER EXAMPLE	Art.	L1=20	L2=20	L3=10
	E47.10.	20	20	10

OMCR CODE	D1	L1	L2	L3	L4	L5	L6	L7	L8	D2	D3	Screw
E47.10.202010	25÷50	20	20	10	6,3	5	7	12,5	16	7	11	M6x16 DIN 912
E47.10.323216	63÷160	32	32	16	10	10	11,5	21	27	11.5	18	M10x20 DIN 912