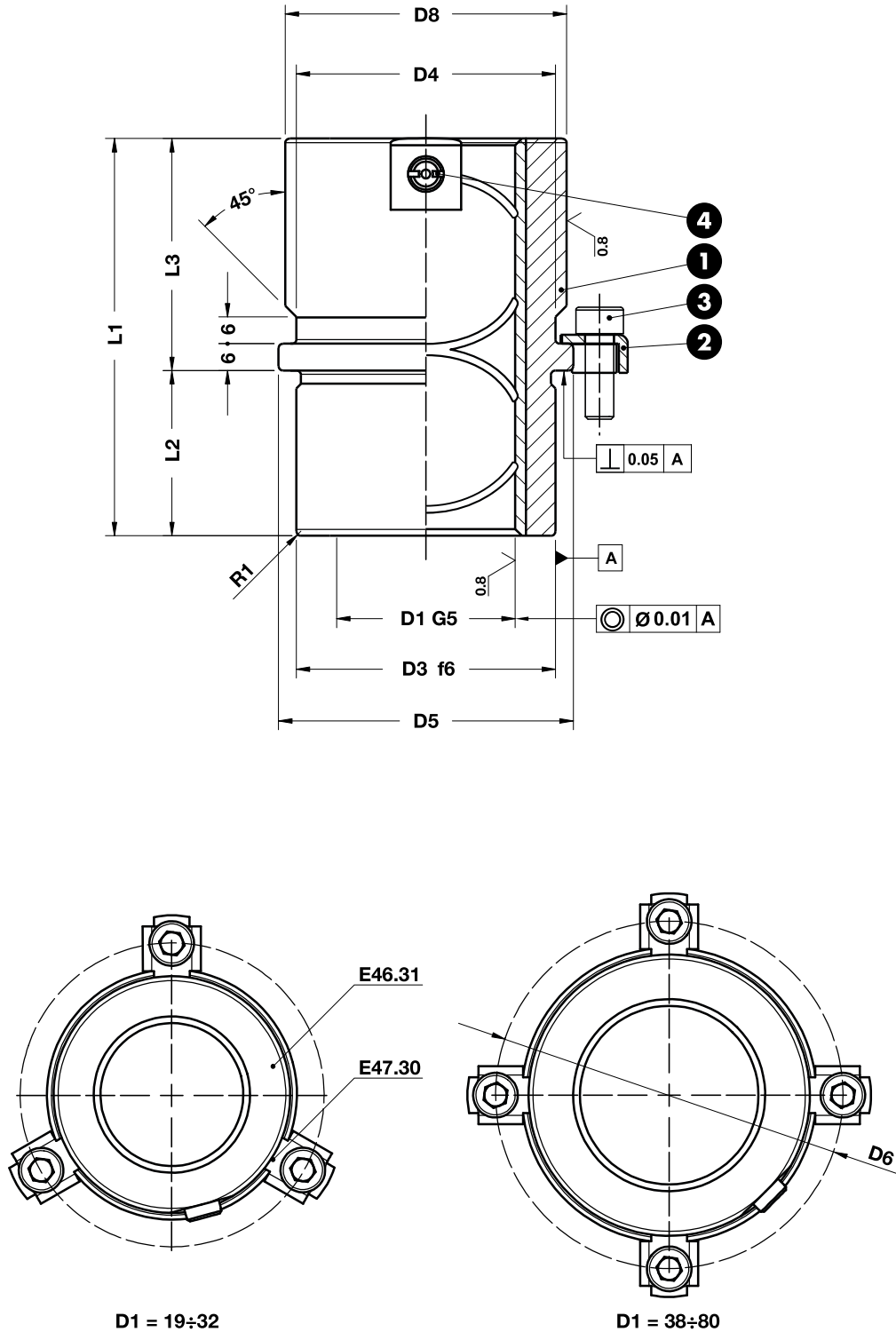
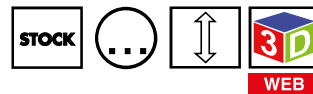


**BUSH BRONZEPLATED ISO 9448-6**  
**FÜHRUNGSBUCHSE MIT BUND BRONZEPLATTIERT ISO 9448-6**  
**BOCCOLA CON RIPORTO IN BRONZO ISO 9448-6**



Notes

- 1 **Material:** Steel + Bronze - **HRC:** 58÷60 - **HB** > 190
- 2 E47.30.
- 3 M6x20 DIN 7984
- 4 Grease nipple DIN 3405 - A M8x1



	Art.	D1=20	L1=43
	E46.31.	020	043

OMCR CODE	D1	D3	D4	D5	D6	D8	L1	L2	L3
E46.31.019043	19	32	32	40	52	39	43	23	20
E46.31.020043	20	32	32	40	52	39	43	23	20
E46.31.024059	24	40	40	48	60	46	59	23	36
E46.31.025059	25	40	40	48	60	46	59	23	36
E46.31.030075	30	48	48	56	67	53	75	30	45
E46.31.032075	32	48	48	56	67	53	75	30	45
E46.31.038082	38	58	58	66	77	63	82	37	45
E46.31.040082	40	58	58	66	77	63	82	37	45
E46.31.048097	48	70	70	80	91	77	97	47	50
E46.31.050097	50	70	70	80	91	77	97	47	50
E46.31.060116	60	85	85	95	106	92	116	60	56
E46.31.063116	63	85	85	95	106	92	116	60	56
E46.31.080120	80	105	105	118	129	115	120	60	60

Sliding Elements