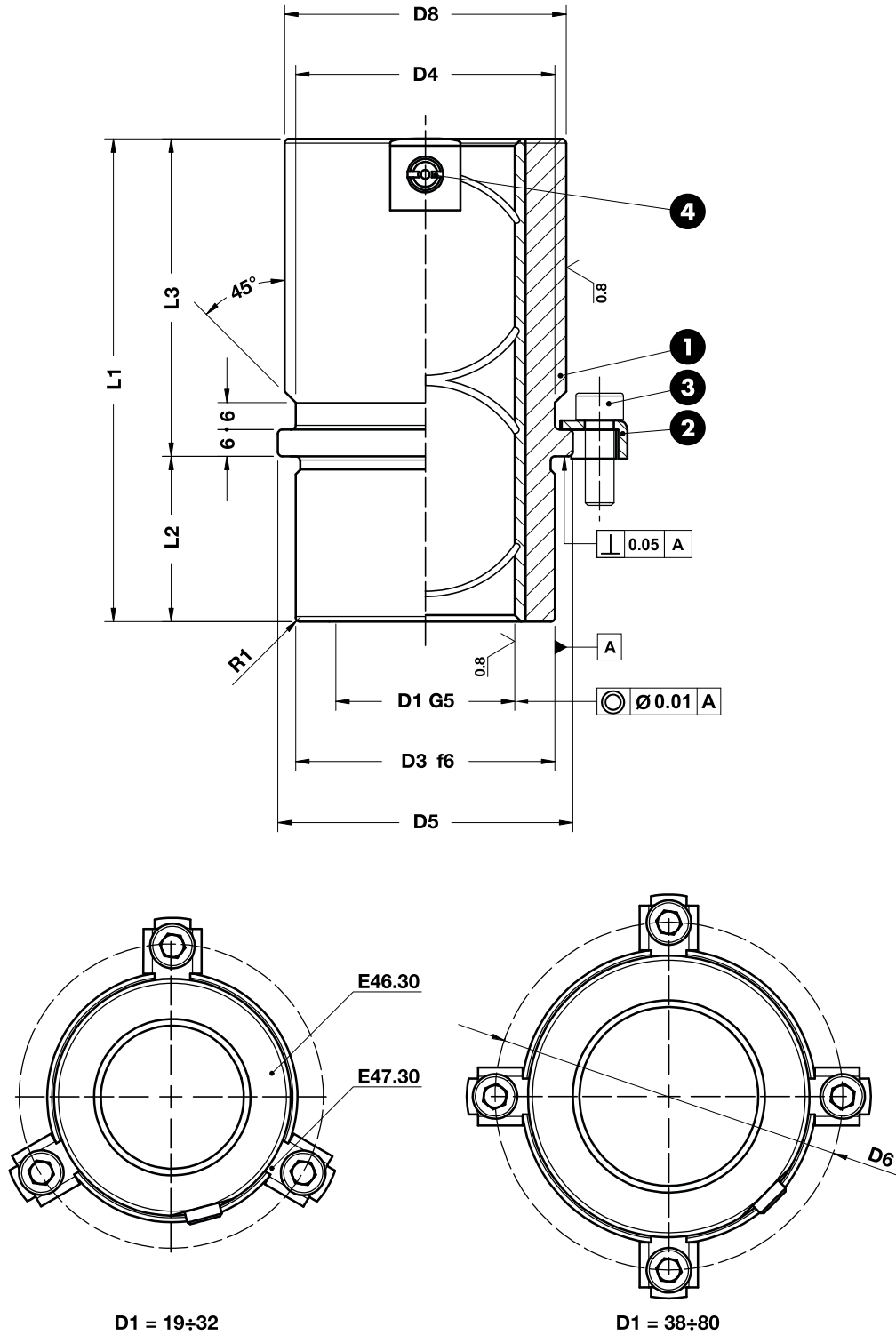
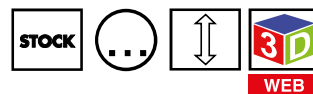


**BUSH BRONZEPLATED ISO 9448-6  
 FÜHRUNGSBUCHSE MIT BUND BRONZEPLATTIERT ISO 9448-6  
 BOCCOLA CON RIPORTO IN BRONZO ISO 9448-6**



Notes

- 1 **Material:** Steel + Bronze - **HRC:** 58÷60 - **HB** > 190
- 2 E47.30.
- 3 M6x20 DIN 7984
- 4 Grease nipple DIN 3405 - A M8x1



|  |         |       |       |
|--|---------|-------|-------|
|  | Art.    | D1=20 | L1=59 |
|  | E46.30. | 020   | 059   |

| OMCR CODE     | D1 | D3  | D4  | D5  | D6  | D8  | L1  | L2 | L3 |
|---------------|----|-----|-----|-----|-----|-----|-----|----|----|
| E46.30.019059 | 19 | 32  | 32  | 40  | 52  | 39  | 59  | 23 | 36 |
| E46.30.020059 | 20 | 32  | 32  | 40  | 52  | 39  | 59  | 23 | 36 |
| E46.30.024079 | 24 | 40  | 40  | 48  | 60  | 46  | 79  | 23 | 56 |
| E46.30.025079 | 25 | 40  | 40  | 48  | 60  | 46  | 79  | 23 | 56 |
| E46.30.030093 | 30 | 48  | 48  | 56  | 67  | 53  | 93  | 30 | 63 |
| E46.30.032093 | 32 | 48  | 48  | 56  | 67  | 53  | 93  | 30 | 63 |
| E46.30.038108 | 38 | 58  | 58  | 66  | 77  | 63  | 108 | 37 | 71 |
| E46.30.040108 | 40 | 58  | 58  | 66  | 77  | 63  | 108 | 37 | 71 |
| E46.30.048127 | 48 | 70  | 70  | 80  | 91  | 77  | 127 | 47 | 80 |
| E46.30.050127 | 50 | 70  | 70  | 80  | 91  | 77  | 127 | 47 | 80 |
| E46.30.060150 | 60 | 85  | 85  | 95  | 106 | 92  | 150 | 60 | 90 |
| E46.30.063150 | 63 | 85  | 85  | 95  | 106 | 92  | 150 | 60 | 90 |
| E46.30.080150 | 80 | 105 | 105 | 118 | 129 | 115 | 150 | 60 | 90 |

Sliding Elements