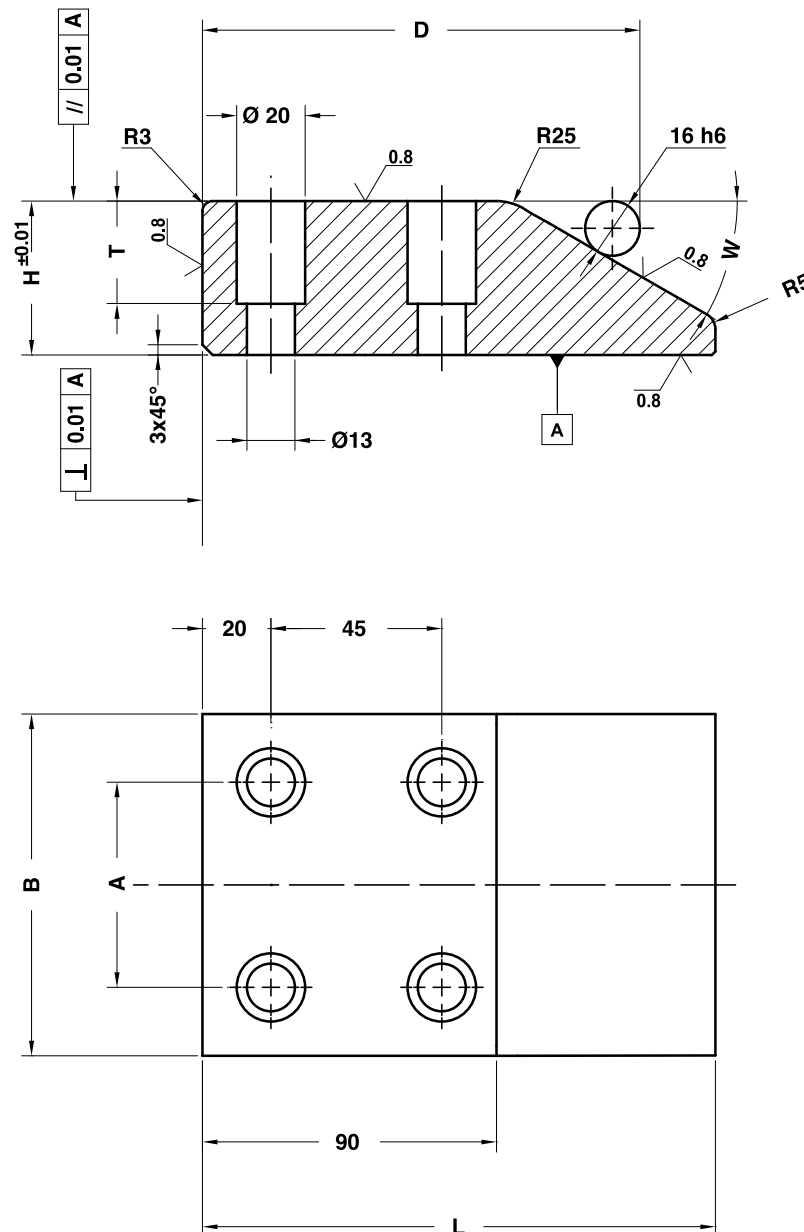


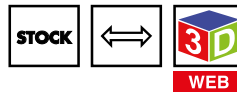
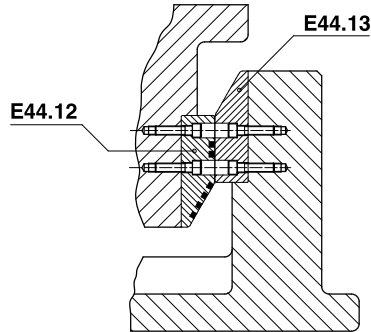
**CAM DWELL WEAR PLATE STEEL VDI 3357**  
**ÜBERLAUFKEILE STAHL VDI 3357**  
**CUNEO IN ACCIAIO VDI 3357**



Notes

**Material:** X155CrVMo121KU  
**HRC:** 58÷62

Application example



	Art.	B=125	H=60	L=170
	E44.13.	125	60	170

OMCR CODE	B	H	L	A	D	T	W
E44.13.10045150	100	45	150	60	127,86	30	30°
E44.13.12545150	125	45	150	85	127,86	30	30°
E44.13.15045150	150	45	150	110	127,86	30	30°
E44.13.10045170	100	45	170	60	143,37	30	20°
E44.13.12545170	125	45	170	85	143,37	30	20°
E44.13.15045170	150	45	170	110	143,37	30	20°
E44.13.10060170	100	60	170	60	127,86	45	30°
E44.13.12560170	125	60	170	85	127,86	45	30°
E44.13.15060170	150	60	170	110	127,86	45	30°

Sliding Elements