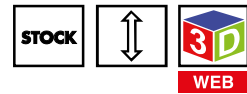
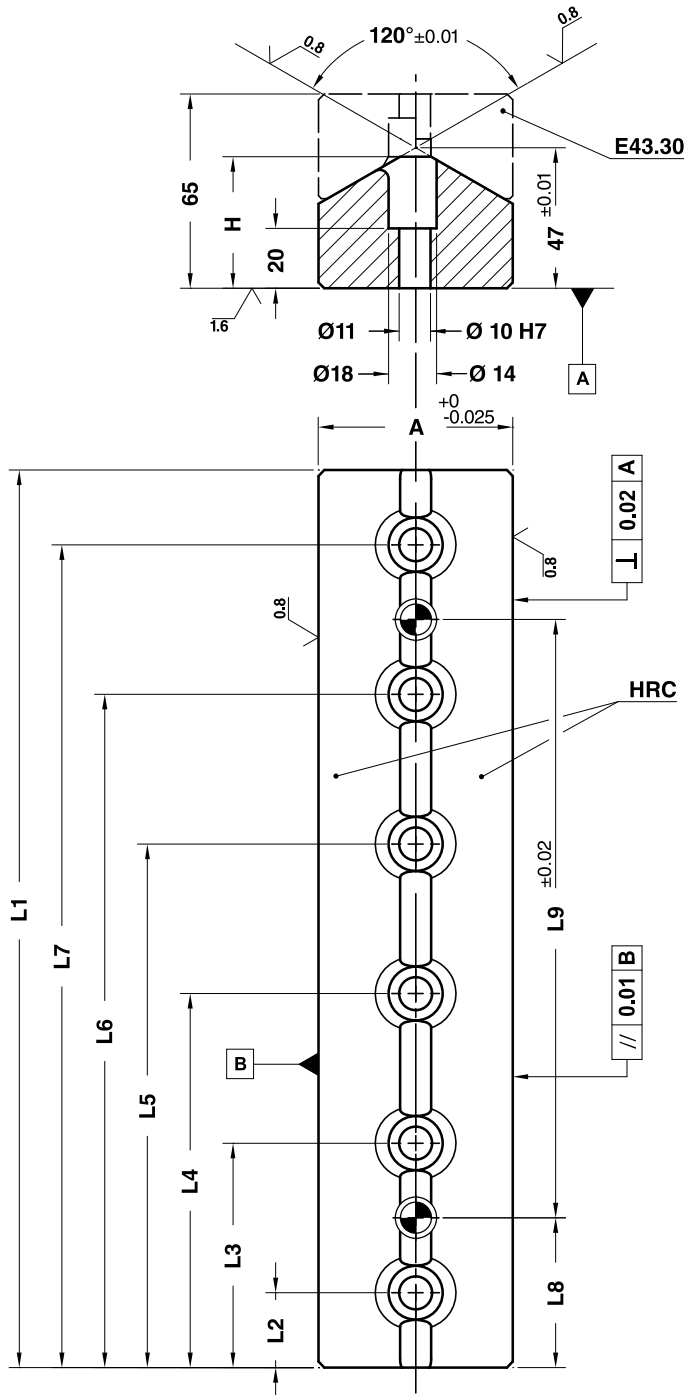
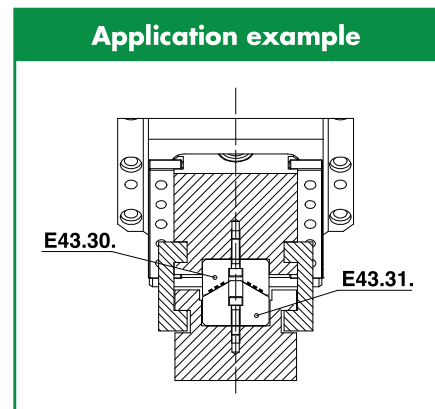


"V" DRIVER STEEL
PRISMENFÜHRUNG
GUIDA A "V" IN ACCIAIO



Notes

Material: CK45 - HRC: 58 ÷ 60



	Art.	A=65	H=44	L1=250
	E43.31.	65	44	250

OMCR CODE	A	H	L1	L2	L3	L4	L5	L6	L7	L8	L9
E43.31.6544100	65	44	100	20	80	-	-	-	-	40	20
E43.31.6544150	65	44	150	25	75	125	-	-	-	50	50
E43.31.6544200	65	44	200	25	75	125	175	-	-	50	100
E43.31.6544250	65	44	250	25	75	125	175	225	-	50	150
E43.31.6544300	65	44	300	25	75	125	175	225	275	50	200

Sliding Elements