

**POSITIVE RETURN  
ZWANGSRÜCKHOLER  
GANCIO**

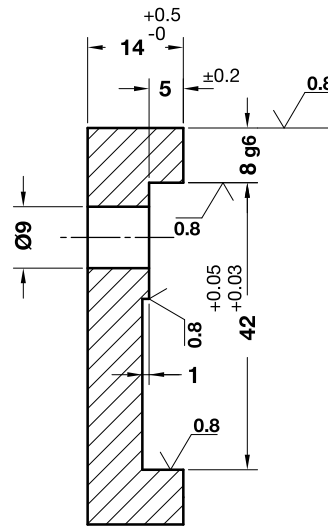
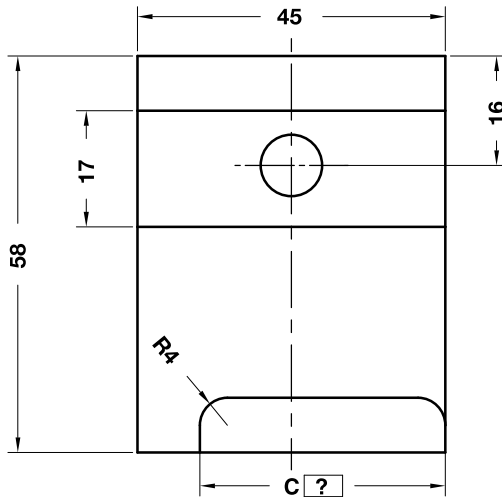
**Notes**

**Material:** 42CrMo4

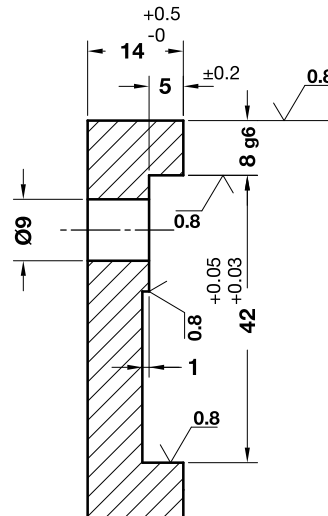
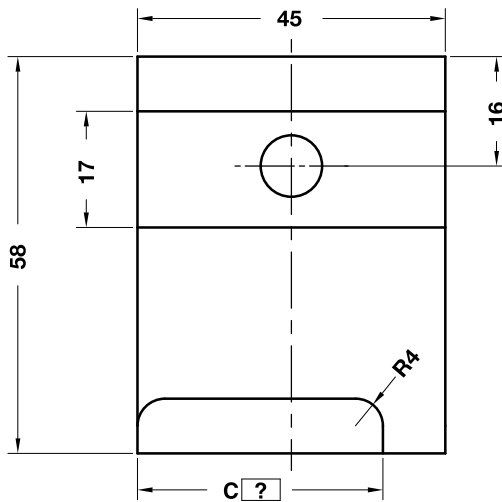
STOCK



**TYPE 01**



**TYPE 02**



Art.	Type	C
E43.27.	01	?

OMCR CODE	Type
E43.27.01	01
E43.27.02	02

Sliding Elements