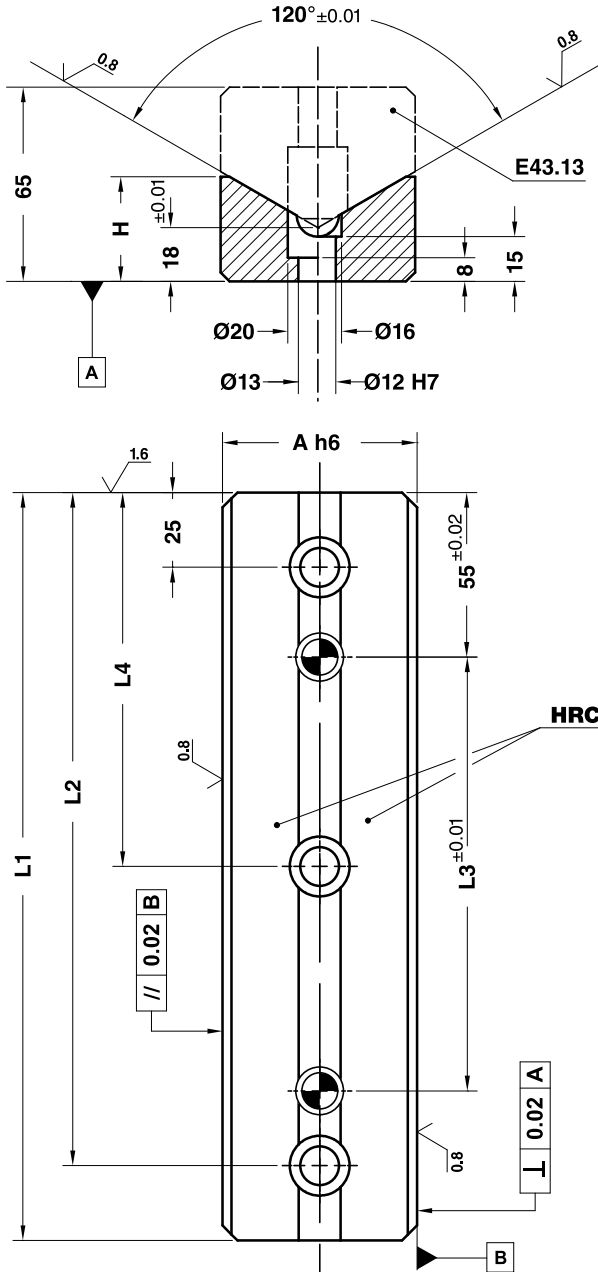


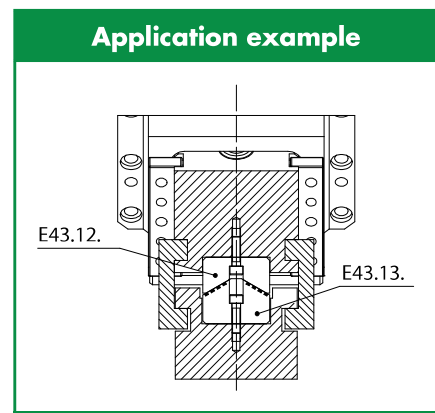
"V" DRIVER STEEL VDI 3357
PRISMENFÜHRUNG VDI 3357
GUIDA A "V" IN ACCIAIO VDI 3357



STOCK WEB

Notes

Material: CK45
HRC: 58÷60



	Art.	A=65	H=35	L1=150
	E43.12.	065	35	150

OMCR CODE	A	H	L1	L2	L3	L4
E43.12.06535150	65	35	150	125	45	-
E43.12.06535200	65	35	200	175	95	-
E43.12.06535250	65	35	250	225	145	125
E43.12.06535300	65	35	300	275	195	150

Sliding Elements