

**GUIDE BAR STEEL
FÜHRUNGSLASTE STAHL
LARDONE IN ACCIAIO**

Notes

Material: 16MnCr5
HRC: 58÷60

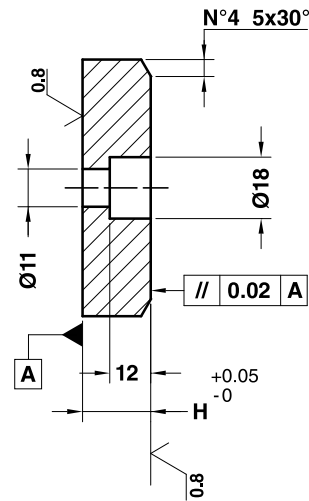
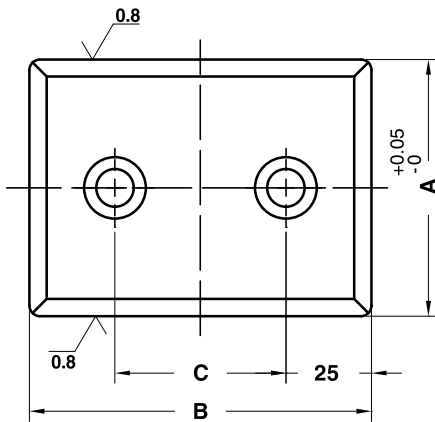
STOCK



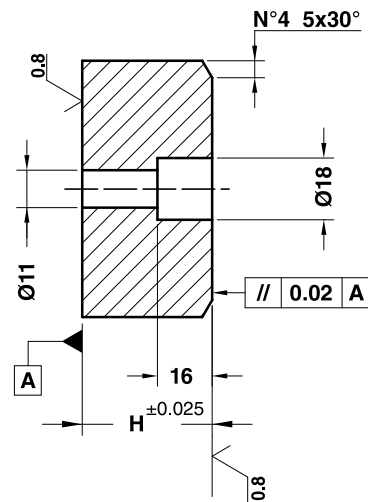
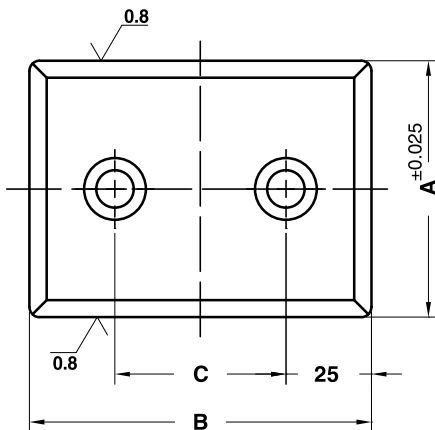
WEB



FORM A



FORM B



Art.	A=48	H=20	B=100
E42.11.	48	20	100

OMCR CODE	A	B	H	C	Form
E42.11.4820100	48	100	20	50	A
E42.11.4820150	48	150	20	100	A
E42.11.7520100	75	100	20	50	A
E42.11.7520150	75	150	20	100	A
E42.11.7538100	75	100	38	50	B
E42.11.7538150	75	150	38	100	B

Sliding Elements