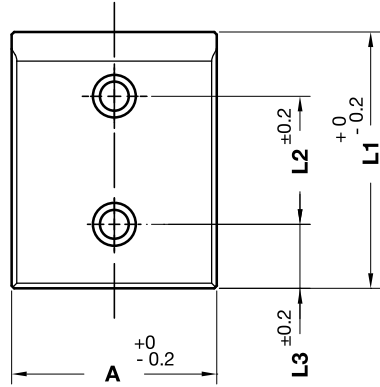
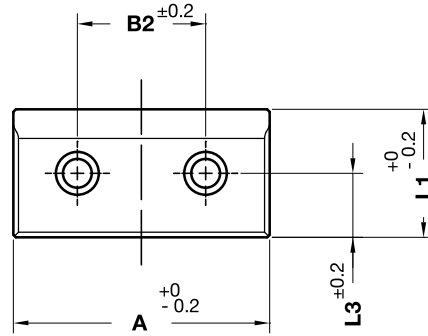


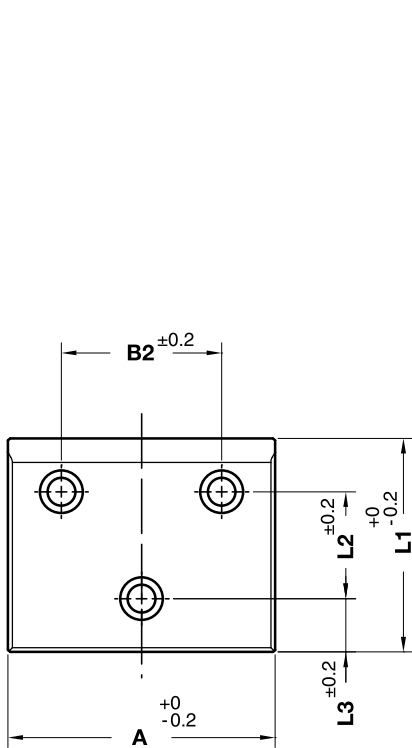
WEAR PLATE STEEL VDI 3357
GLEITPLATTE STAHL VDI 3357
PIASTRA GUIDA IN ACCIAIO VDI 3357



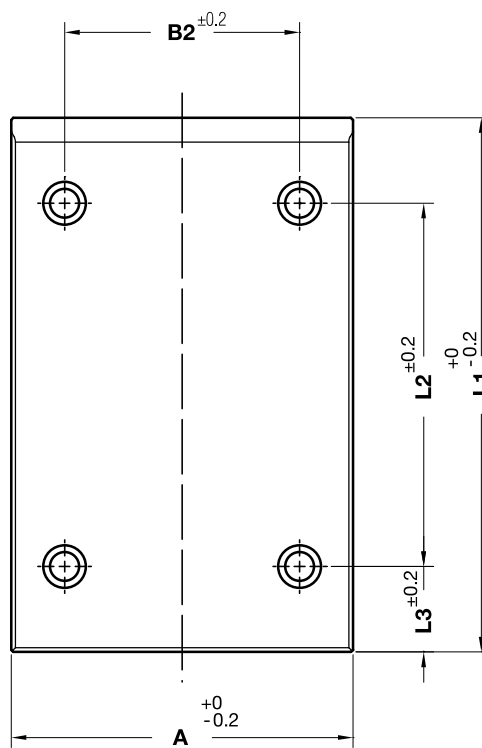
FORM A



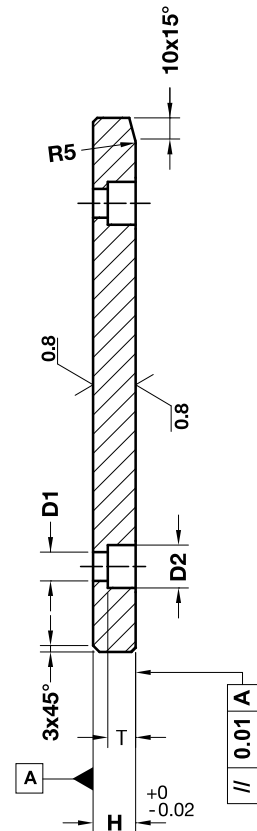
FORM B



FORM C

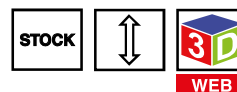


FORM D



Notes

Material: 16MnCr5
HRC: 58÷60



	Art.	A=125	H=20	L1=50
	E40.13.	125	20	050

OMCR CODE	A	H	L1	B2	L2	L3	D1	D2	T	Form
E40.13.05020080	50	20	80	-	30	25	9	15	9	A
E40.13.05020100	50	20	100	-	50	25	13,5	20	13	A
E40.13.05020125	50	20	125	-	75	25	13,5	20	13	A
E40.13.05020160	50	20	160	-	110	25	13,5	20	13	A
E40.13.05020200	50	20	200	-	150	25	13,5	20	13	A
E40.13.08020050	80	20	50	30	-	25	9	15	9	B
E40.13.08020080	80	20	80	-	30	25	13,5	20	13	A
E40.13.08020100	80	20	100	-	50	25	13,5	20	13	A
E40.13.08020125	80	20	125	-	75	25	13,5	20	13	A
E40.13.08020160	80	20	160	-	110	25	13,5	20	13	A
E40.13.08020200	80	20	200	-	150	25	13,5	20	13	A
E40.13.08020250	80	20	250	-	170	40	13,5	20	13	A
E40.13.10020050	100	20	50	50	-	25	13,5	20	13	B
E40.13.10020080	100	20	80	50	-	40	13,5	20	13	B
E40.13.10020100	100	20	100	-	50	25	13,5	20	13	A
E40.13.10020125	100	20	125	-	75	25	13,5	20	13	A
E40.13.10020160	100	20	160	-	110	25	13,5	20	13	A
E40.13.10020200	100	20	200	-	150	25	13,5	20	13	A
E40.13.10020250	100	20	250	-	170	40	13,5	20	13	A
E40.13.10020315	100	20	315	-	235	40	13,5	20	13	A
E40.13.12520050	125	20	50	75	-	25	13,5	20	13	B
E40.13.12520080	125	20	80	75	-	40	13,5	20	13	B
E40.13.12520100	125	20	100	75	50	25	13,5	20	13	C
E40.13.12520125	125	20	125	75	75	25	13,5	20	13	C
E40.13.12520160	125	20	160	75	110	25	13,5	20	13	C
E40.13.12520200	125	20	200	75	150	25	13,5	20	13	C
E40.13.12520250	125	20	250	75	170	40	13,5	20	13	C
E40.13.12520315	125	20	315	75	235	40	13,5	20	13	C
E40.13.16020050	160	20	50	110	-	25	13,5	20	13	B
E40.13.16020080	160	20	80	110	-	40	13,5	20	13	B
E40.13.16020100	160	20	100	110	50	25	13,5	20	13	C
E40.13.16020125	160	20	125	110	75	25	13,5	20	13	C
E40.13.16020160	160	20	160	110	110	25	13,5	20	13	C
E40.13.16020200	160	20	200	110	150	25	13,5	20	13	C
E40.13.16020250	160	20	250	110	170	40	13,5	20	13	D
E40.13.16020315	160	20	315	110	235	40	13,5	20	13	D