

ISO 11901 - 1 EM24.54.700 (Renault)	VDI 3003 39D 878 (VW)	075.90.55 (FCA)	B8 3180 220 000 001(MB)
--	--------------------------	-----------------	-------------------------



**OSAS + OSM** = OVER STROKE ACTIVE SAFETY + OVER STROKE MARKER

## ACTIVE SAFETY

Il nuovo codice sarà fornito solo ad esaurimento del vecchio

The new code will be supplied only when the old will be out of stock

Der neue Kode wird nur angegeben, wenn der alte nicht mehr lieferbar ist

Le nouveau code sera fourni uniquement lorsque le vieux stock sera écoulé

El nuevo código será suministrado sólo cuando se agoten las existencias del antiguo

O novo código irá ser fornecido apenas quando o antigo esgotar stock



OSAS



USAS

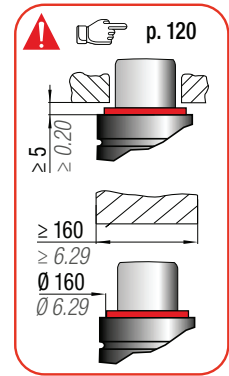
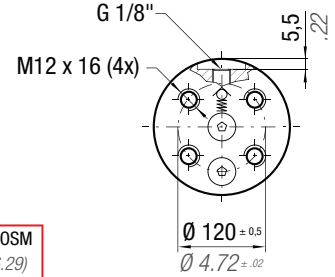
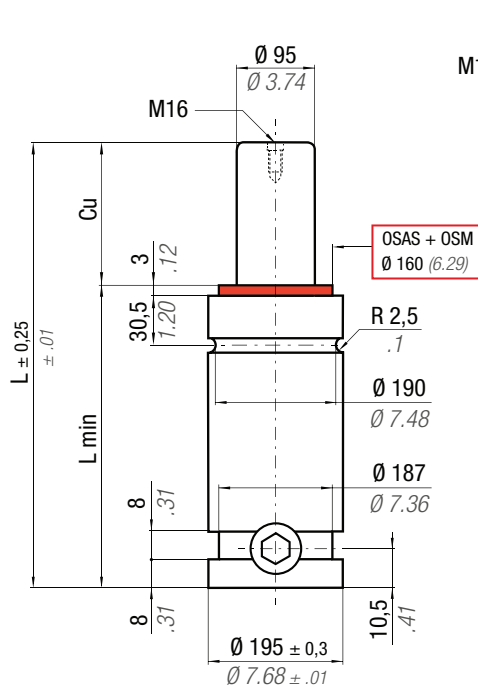


OPAS

**easu** MANIPOL p. 247

\*  $F_{1i}$  = Isothermal end force at 100% Cu p. 16

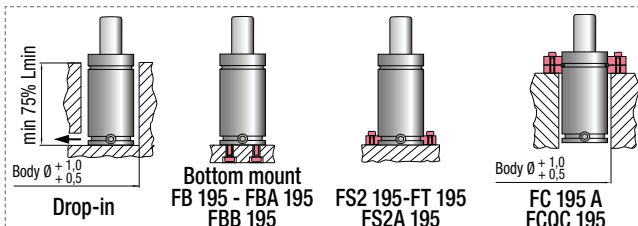
\*\*  $F_{1p}$  = Polyphobic end force at 100% Cu



N <sub>2</sub>	0 - 80 °C 32 - 176 °F	$\Delta P$ ± 0,33 %/°C	P max 150 bar 2175 psi	P min 20 bar 290 psi	S 70,88 cm <sup>2</sup> 10,986 in <sup>2</sup>	SPM ~ 15 - 50 (at 20°C)	Max Speed 1,8 m/s	Maintenance kit 39BMSC10000D
----------------	--------------------------	---------------------------	------------------------------	----------------------------	--	-------------------------------	----------------------	---------------------------------

CODE PHASING OUT from 04/2021	NEW	Cu		L		L min		F <sub>0</sub>		F <sub>1i</sub> *		F <sub>1p</sub> **		V <sub>0</sub>		PED 2014/68/EU		
		mm	inch	mm	inch	mm	inch	daN	lb	daN	lb	daN	lb	cm <sup>3</sup>	in <sup>3</sup>		~Kg	~lb
SC 10000 - 025 - D	SC 10000 - 025 - E	25	0.98	210	8.27	185	7.28	10600 ± 5%	23830	12918	29040	14411	32398	1174	71.65	33,73	74.36	✓
SC 10000 - 038 - D	SC 10000 - 038 - E	38	1.50	236	9.29	198	7.80			13498	30345	15277	34345	1482	90.45	35,08	77.34	✓
SC 10000 - 050 - D	SC 10000 - 050 - E	50	1.97	260	10.24	210	8.27			13879	31200	15852	35636	1767	107.81	36,32	80.07	✓
SC 10000 - 063 - D	SC 10000 - 063 - E	63,5	2.50	287	11.30	223,5	8.80			14197	31916	16336	36726	2087	127.34	37,72	83.16	✓
SC 10000 - 080 - D	SC 10000 - 080 - E	80	3.15	320	12.60	240	9.45			14486	32565	16779	37720	2478	151.20	39,44	86.95	✓
SC 10000 - 100 - D	SC 10000 - 100 - E	100	3.94	360	14.17	260	10.24			14742	33140	17174	38608	2952	180.14	41,51	91.51	✓
SC 10000 - 125 - D	SC 10000 - 125 - E	125	4.92	410	16.14	285	11.22			14972	33659	17531	39412	3545	216.30	44,11	97.25	✓
SC 10000 - 160 - D	SC 10000 - 160 - E	160	6.30	480	18.90	320	12.60			15196	34163	17881	40197	4374	266.92	47,74	105.25	✓
SC 10000 - 200 - D	SC 10000 - 200 - E	200	7.87	560	22.05	360	14.17			15415	34654	18222	40966	5288	322.68	52,17	115.02	✓
SC 10000 - 250 - D	SC 10000 - 250 - E	250	9.84	660	25.98	410	16.14			15774	35462	18789	42240	6281	383.26	58,87	129.79	✓
SC 10000 - 300 - D	SC 10000 - 300 - E	300	11.81	760	29.92	460	18.11	16046	36072	19219	43207	7273	443.84	65,57	144.56	✓		

◆ Disposable



## HOW TO ORDER

p. 121

## INSTALLATION GUIDELINE

p. 205