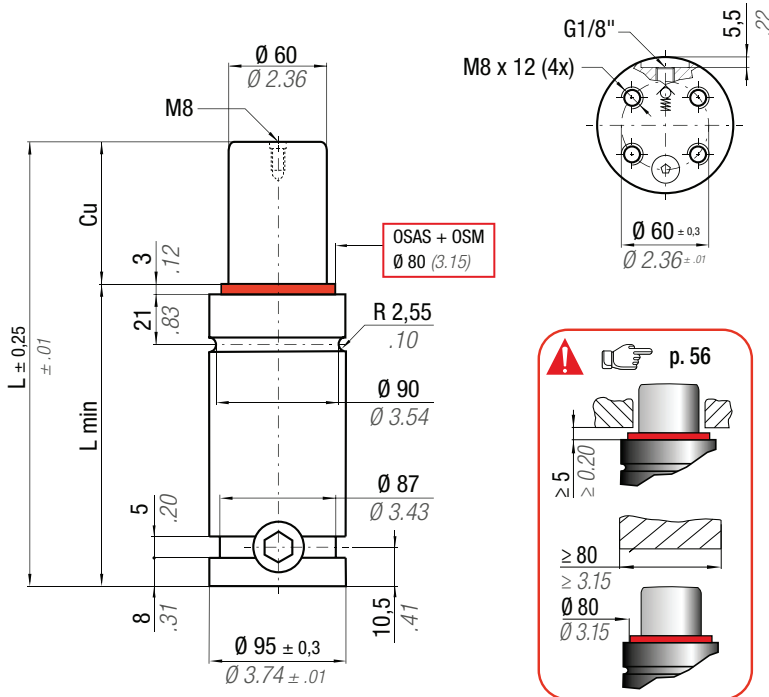


ISO 11901 - 3	VDI 3003 - Blatt 3	B2 4005 (BMW)	075.90.60 (FCA)
W-DX35-6204 (Ford)	PG 24D (Mazda)	B8 3180 220 000 004(MB)	E24.54.815.G (PSA)
39D 997 (VW)			

# RV 4200



**OSAS + OSM** = OVER STROKE ACTIVE SAFETY + OVER STROKE MARKER



Il nuovo codice sarà fornito solo ad esaurimento del vecchio

**ACTIVE SAFETY**

The new code will be supplied only when the old will be out of stock



Der neue Kode wird nur angegeben, wenn der alte nicht mehr lieferbar ist

OSAS

Le nouveau code sera fourni uniquement lorsque le vieux stock sera écoulé



USAS

El nuevo código será suministrado sólo cuando se agoten las existencias del antiguo stock

O novo código irá ser fornecido apenas quando o antigo esgotar stock



OPAS

**easu** MANIFOLD p. 247

\*  $F_{1i}$  = Isothermal end force at 100% Cu p. 16

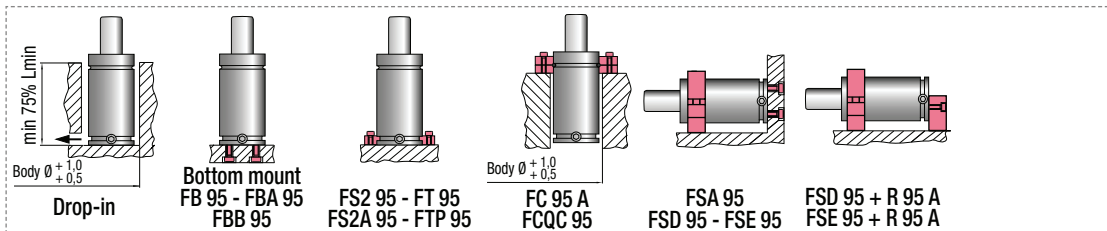
\*\*  $F_{1p}$  = Polyphoric end force at 100% Cu

RV

N <sub>2</sub>	0 - 80 °C 32 - 176 °F	$\Delta P$ ± 0,33 %/°C	<b>P max</b> 150 bar 2175 psi	<b>P min</b> 20 bar 290 psi	<b>S</b> 28,27 cm <sup>2</sup> 4.382 in <sup>2</sup>	<b>SPM</b> ~ 20 - 100 (at 20°C)	<b>Max Speed</b> 1,8 m/s	<b>Maintenance kit</b> 39BMRV04200C
----------------	--------------------------	---------------------------	-------------------------------------	-----------------------------------	--	---------------------------------------	-----------------------------	--

CODE PHASING OUT from 04/2021	NEW	Cu		L		L min		F <sub>0</sub>		F <sub>1i</sub> *		F <sub>1p</sub> **		V <sub>0</sub>		PED			
		mm	inch	mm	inch	mm	inch	daN	lb	daN	lb	daN	lb	cm <sup>3</sup>	in <sup>3</sup>	~Kg	~lb	2014/68/EU	
RV 4200 - 016 - A	◆ RV 4200 - 016 - B	16	0.63	90	3.54	74	2.91	4240 ± 5%	9532	6103	13720	7197	16179	172	10.50	2,76	6.08	✓	
RV 4200 - 019 - A	◆ RV 4200 - 019 - B	19	0.75	96	3.78	77	3.03			6269	14093	7458	16767	192	11.72	2,84	6.26	✓	
RV 4200 - 025 - A	RV 4200 - 025 - B	25	0.98	108	4.25	83	3.27			6531	14682	7874	17702	232	14.16	2,99	6.59	✓	
RV 4200 - 032 - A	RV 4200 - 032 - B	32	1.26	122	4.80	90	3.54			6755	15186	8236	18515	279	17.03	3,16	6.97	✓	
RV 4200 - 038 - A	RV 4200 - 038 - B	38	1.50	134	5.28	96	3.78			6902	15517	8475	19052	320	19.53	3,31	7.30	✓	
RV 4200 - 050 - A	RV 4200 - 050 - B	50	1.97	158	6.22	108	4.25			150 bar	7117	16001	8827	19844	401	24.47	3,61	7.96	✓
RV 4200 - 063 - A	RV 4200 - 063 - B	63	2.48	184	7.24	121	4.76			2175 psi	7278	16361	9092	20440	488	29.78	3,94	8.69	✓
RV 4200 - 075 - A	RV 4200 - 075 - B	75	2.95	208	8.19	133	5.24				7386	16604	9272	20843	569	34.72	4,24	9.35	✓
RV 4200 - 080 - A	RV 4200 - 080 - B	80	3.15	218	8.58	138	5.43			+ 20 °C +68 °F	7423	16687	9333	20982	603	36.80	4,36	9.61	✓
RV 4200 - 100 - A	RV 4200 - 100 - B	100	3.94	258	10.16	158	6.22				7539	16949	9529	21421	738	45.04	4,86	10.71	✓
RV 4200 - 125 - A	RV 4200 - 125 - B	125	4.92	308	12.13	183	7.20		7639	17173	9696	21798	906	55.29	5,48	12.08	✓		

◆ Disposable



**HOW TO ORDER**

p. 57

**INSTALLATION GUIDELINE**

p. 205