



OSAS + OSM = **OVER STROKE ACTIVE SAFETY** + **OVER STROKE MARKER**

ACTIVE SAFETY

Il nuovo codice sarà fornito solo ad esaurimento del vecchio

The new code will be supplied only when the old will be out of stock

Der neue Kode wird nur angegeben, wenn der alte nicht mehr lieferbar ist

Le nouveau code sera fourni uniquement lorsque le vieux stock sera écoulé

El nuevo código será suministrado sólo cuando se agoten las existencias del antiguo

O novo código irá ser fornecido apenas quando o antigo esgotar stock



OSAS



USAS

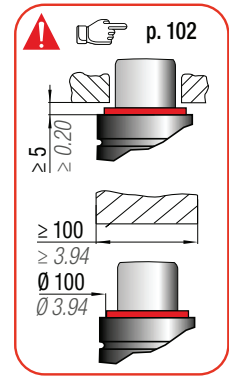
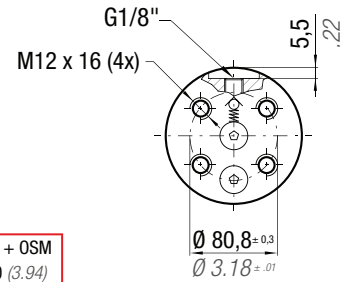
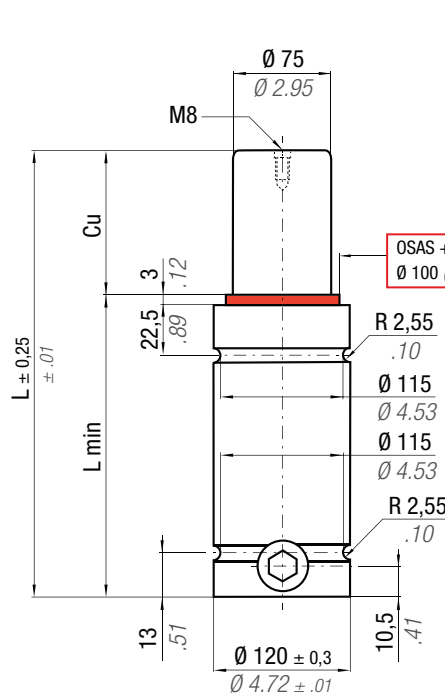


OPAS

easu MANIPOL p. 247

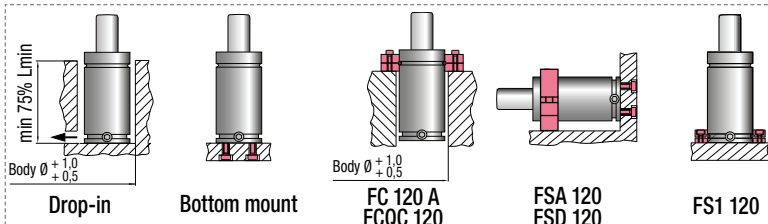
* F_{1i} = Isothermal end force at 100% Cu p. 16

** F_{1p} = Polytropic end force at 100% Cu



N₂		0 - 80 °C 32 - 176 °F	ΔP ± 0,33 %/°C	P max 150 bar 2175 psi	P min 20 bar 290 psi	S 44,18 cm ² 6.848 in ²	SPM ~ 20 - 100 (at 20°C)	Max Speed 1,8 m/s	Maintenance kit 39BMRV06600C	
CODE	NEW	Cu	L	L min	F ₀	F _{1i} *	F _{1p} **	V ₀		PED 2014/68/EU
PHASING OUT from 04/2021		mm inch	mm inch	mm inch	Initial force daN lb	End force * daN lb	End force ** daN lb	cm ³ in ³	~Kg ~lb	✓
RT 6600 - 016 - A	♦ RT 6600 - 016 - B	16 0.63	104 4.09	88 3.46	6630 14904 ± 5% 150 bar 2175 psi + 20 °C +68 °F	9056 20359	10500 23606	306 18.69	5,41 11.93	✓
RT 6600 - 019 - A	♦ RT 6600 - 019 - B	19 0.75	110 4.33	91 3.58		9306 20920	10887 24474	338 20.64	5,53 12.19	✓
RT 6600 - 025 - A	RT 6600 - 025 - B	25 0.98	122 4.80	97 3.82		9712 21832	11521 25901	402 24.54	5,77 12.72	✓
RT 6600 - 032 - A	RT 6600 - 032 - B	32 1.26	136 5.35	104 4.09		10073 22644	12093 27187	477 29.08	6,05 13.34	✓
RT 6600 - 038 - A	RT 6600 - 038 - B	38 1.50	148 5.83	110 4.33		10316 23192	12483 28063	541 32.98	6,25 13.78	✓
RT 6600 - 050 - A	RT 6600 - 050 - B	50 1.97	172 6.77	122 4.80		10683 24016	13075 29394	668 40.78	6,77 14.93	✓
RT 6600 - 063 - A	RT 6600 - 063 - B	63 2.48	198 7.80	135 5.31		10964 24648	13534 30427	807 49.23	7,25 15.98	✓
RT 6600 - 075 - A	RT 6600 - 075 - B	75 2.95	222 8.74	147 5.79		11157 25083	13852 31141	935 57.03	7,77 17.13	✓
RT 6600 - 080 - A	RT 6600 - 080 - B	80 3.15	232 9.13	152 5.98		11225 25234	13963 31390	988 60.28	7,97 17.57	✓
RT 6600 - 100 - A	RT 6600 - 100 - B	100 3.94	272 10.71	172 6.77		11439 25715	14318 32188	1201 73.28	8,76 19.31	✓
RT 6600 - 125 - A	RT 6600 - 125 - B	125 4.92	322 12.68	197 7.76	11625 26133	14628 32885	1467 89.53	9,76 21.52	✓	

♦ Disposable



HOW TO ORDER

p. 103

INSTALLATION GUIDELINE

p. 205