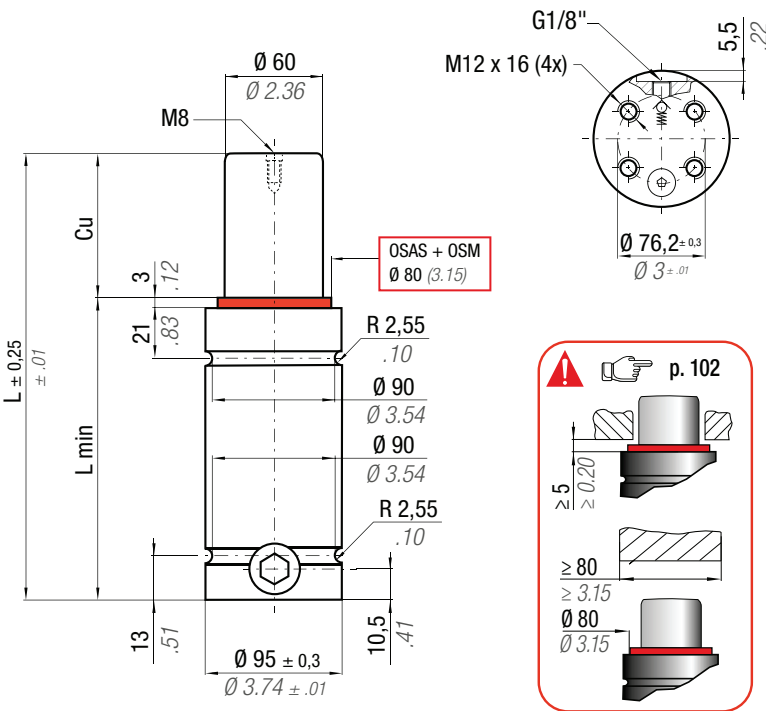


K 32 R (Nissan)	E24.54.815.G (PSA)	EM24.54.700 (Renault)
SMS DNH 3203n Rev.3 (TOYOTA)		

RT 4200



OSAS + OSM = OVER STROKE ACTIVE SAFETY + OVER STROKE SAFETY MARKER



Il nuovo codice sarà fornito solo ad esaurimento del vecchio

The new code will be supplied only when the old will be out of stock

Der neue Kode wird nur angegeben, wenn der alte nicht mehr lieferbar ist

Le nouveau code sera fourni uniquement lorsque le vieux stock sera épuisé

El nuevo código será suministrado sólo cuando se agoten las existencias del antiguo

O novo código irá ser fornecido apenas quando o antigo esgotar stock

ACTIVE SAFETY



OSAS



USAS



OPAS

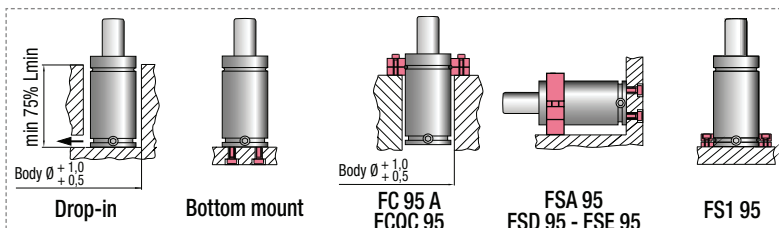
easu MANIFOLD p. 247

* F_{1i} = Isothermal end force at 100% Cu p. 16

** F_{1p} = Polyphoric end force at 100% Cu

N ₂		0 - 80 °C 32 - 176 °F	ΔP ± 0,33 %/°C	P max 150 bar 2175 psi	P min 20 bar 290 psi	S 28,27 cm ² 4.382 in ²	SPM ~ 20 - 100 (at 20°C)	Max Speed 1,8 m/s	Maintenance kit 39BMRV04200C	
CODE	NEW	Cu	L	L min	F ₀	F _{1i} *	F _{1p} **	V ₀		
PHASING OUT from 04/2021		mm inch	mm inch	mm inch	Initial force daN lb	End force * daN lb	End force ** daN lb	cm ³ in ³	~Kg ~lb	2014/68/EU
RT 4200 - 016 - A	◆ RT 4200 - 016 - B	16 0.63	94 3.70	78 3.07	4240 9532 ± 5%	6103 13720	7197 16179	172 10.48	2,97 6.55	✓
RT 4200 - 019 - A	◆ RT 4200 - 019 - B	19 0.75	100 3.94	81 3.19		6269 14093	7458 16767	192 11.71	3,05 6.72	✓
RT 4200 - 025 - A	RT 4200 - 025 - B	25 0.98	112 4.41	87 3.43		6531 14682	7874 17702	232 14.18	3,20 7.05	✓
RT 4200 - 032 - A	RT 4200 - 032 - B	32 1.26	126 4.96	94 3.70		6755 15186	8236 18515	280 17.06	3,37 7.43	✓
RT 4200 - 038 - A	RT 4200 - 038 - B	38 1.50	138 5.43	100 3.94		6902 15517	8475 19052	320 19.52	3,52 7.76	✓
RT 4200 - 050 - A	RT 4200 - 050 - B	50 1.97	162 6.38	112 4.41		7117 16001	8827 19844	401 24.45	3,82 8.42	✓
RT 4200 - 063 - A	RT 4200 - 063 - B	63 2.48	188 7.40	125 4.92		7278 16361	9092 20440	488 29.80	4,14 9.13	✓
RT 4200 - 075 - A	RT 4200 - 075 - B	75 2.95	212 8.35	137 5.39		7386 16604	9272 20843	569 34.73	4,44 9.79	✓
RT 4200 - 080 - A	RT 4200 - 080 - B	80 3.15	222 8.74	142 5.59		7423 16687	9333 20982	603 36.79	4,57 10.08	✓
RT 4200 - 100 - A	RT 4200 - 100 - B	100 3.94	262 10.31	162 6.38		7539 16949	9529 21421	738 45.01	5,07 11.18	✓
RT 4200 - 125 - A	RT 4200 - 125 - B	125 4.92	312 12.28	187 7.36	7639 17173	9696 21798	906 55.29	5,69 12.54	✓	

◆ Disposable



HOW TO ORDER

p. 103

INSTALLATION GUIDELINE

p. 205