

OSAS + OSM = **OVER STROKE ACTIVE SAFETY** + **OVER STROKE MARKER**

ACTIVE SAFETY



OSAS



USAS



OPAS



SKUDO

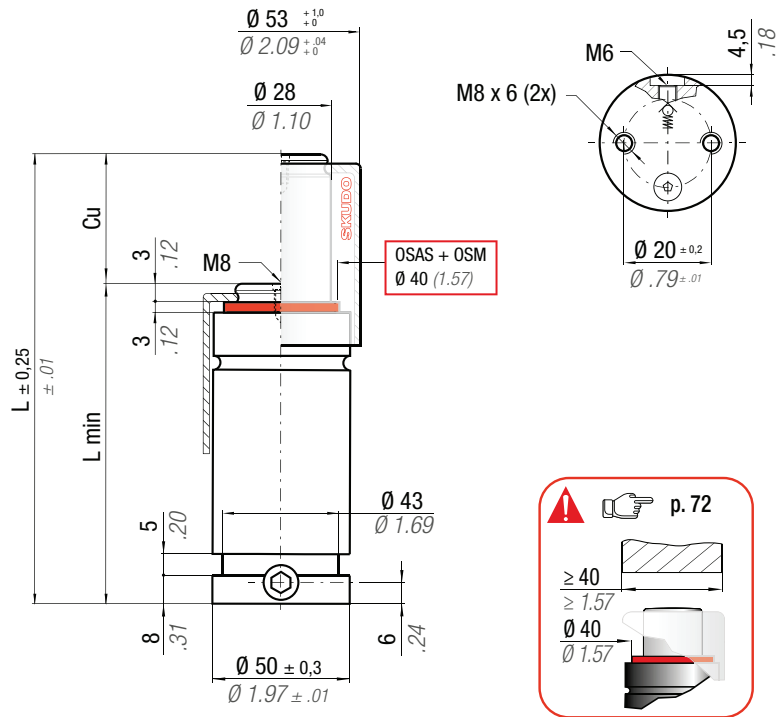
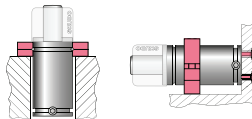
Il nuovo codice sarà fornito solo ad esaurimento del vecchio
 The new code will be supplied only when the old will be out of stock
 Der neue Kode wird nur angegeben, wenn der alte nicht mehr lieferbar ist
 Le nouveau code sera fourni uniquement lorsque le vieux stock sera écoulé
 El nuevo código será suministrado sólo cuando se agoten las existencias del antiguo
 O novo código irá ser fornecido apenas quando o antigo esgotar stock

easU MANIFOLD p. 247

* F_{1i} = Isothermal end force at 100% Cu p. 16

** F_{1p} = Polytrophic end force at 100% Cu

NOT FOR



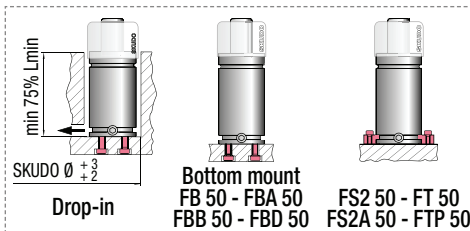
	0 - 80 °C 32 - 176 °F	ΔP ± 0,33 %/°C	P max 170 bar 2465 psi	P min 20 bar 290 psi	S 6,15 cm ² 0,953 in ²	SPM ~ 20 - 100 (at 20°C)	Max Speed 1,8 m/s	Maintenance kit 39BMRV01000C
--	--------------------------	---------------------------	------------------------------	----------------------------	--	--------------------------------	----------------------	---------------------------------

CODE PHASING OUT from 04/2021	NEW	Cu		L		L min		F ₀ Initial force		F _{1i} * End force *		F _{1p} ** End force **		V ₀		~Kg	~lb	PED 2014/68/EU
		mm	inch	mm	inch	mm	inch	daN	lb	daN	lb	daN	lb	cm ³	in ³			
RS 1200 - 010 - A	◆ RS 1200 - 010 - B	10	0.39	64	2.52	54	2.13	1046 ± 5% 170 bar 2465 psi + 20 °C +68 °F	2352	1418	3187	1605	3608	28,4	1.73	0,51	1.12	✓
RS 1200 - 013 - A	◆ RS 1200 - 013 - B	13	0.51	70	2.76	57	2.24			1476	3318	1690	3799	33,0	2.01	0,54	1.19	✓
RS 1200 - 016 - A	RS 1200 - 016 - B	16	0.63	76	2.99	60	2.36			1523	3424	1759	3954	37,7	2.30	0,56	1.23	✓
RS 1200 - 022 - A	RS 1200 - 022 - B	22	0.87	88	3.46	66	2.60			1594	3583	1864	4190	47,0	2.87	0,61	1.34	✓
RS 1200 - 029 - A	RS 1200 - 029 - B	29	1.14	102	4.02	73	2.87			1652	3713	1950	4385	58,0	3.54	0,67	1.48	✓
RS 1200 - 035 - A	RS 1200 - 035 - B	35	1.38	114	4.49	79	3.11			1688	3795	2006	4509	67,3	4.11	0,71	1.57	✓
RS 1200 - 047 - A	RS 1200 - 047 - B	47	1.85	138	5.43	91	3.58			1740	3911	2084	4685	86,0	5.25	0,81	1.79	✓
RS 1200 - 060 - A	RS 1200 - 060 - B	60	2.36	164	6.46	104	4.09			1776	3994	2141	4812	106,3	6.49	0,91	2.01	✓
RS 1200 - 072 - A	RS 1200 - 072 - B	72	2.83	188	7.40	116	4.57			1801	4048	2178	4896	125,0	7.63	1,05	2.31	✓
RS 1200 - 077 - A	RS 1200 - 077 - B	77	3.03	198	7.80	121	4.76			1809	4067	2191	4925	132,8	8.10	1,09	2.40	✓
RS 1200 - 097 - A	RS 1200 - 097 - B	97	3.82	238	9.37	141	5.55	1834	4124	2230	5014	163,9	10.00	1,21	2.67	✓		
RS 1200 - 122 - A	RS 1200 - 122 - B	122	4.80	288	11.34	166	6.54	1856	4172	2263	5088	202,9	12.38	1,41	3.11	✓		

◆ Disposable

WARNING REMOVE SKUDO

Upside down mounting



HOW TO ORDER p. 73

INSTALLATION GUIDELINE p. 205