



OSAS + OSM = **OVER STROKE ACTIVE SAFETY** + **OVER STROKE MARKER**

ACTIVE SAFETY

Il nuovo codice sarà fornito solo ad esaurimento del vecchio

The new code will be supplied only when the old will be out of stock

Der neue Kode wird nur angegeben, wenn der alte nicht mehr lieferbar ist

Le nouveau code sera fourni uniquement lorsque le vieux stock sera écoulé

El nuevo código será suministrado sólo cuando se agoten las existencias del antiguo

O novo código irá ser fornecido apenas quando o antigo esgotar stock



OSAS



USAS

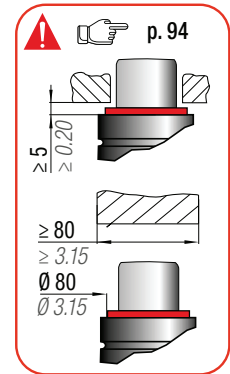
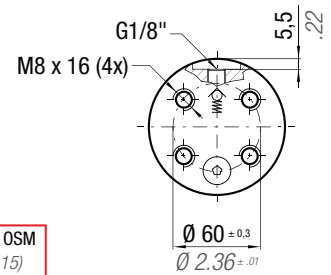
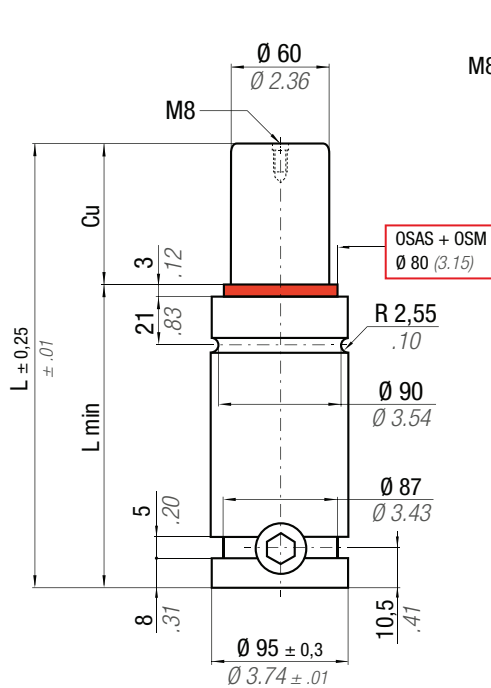


OPAS

easu MANIPOL p. 247

* F_{1i} = Isothermal end force at 100% Cu p. 16

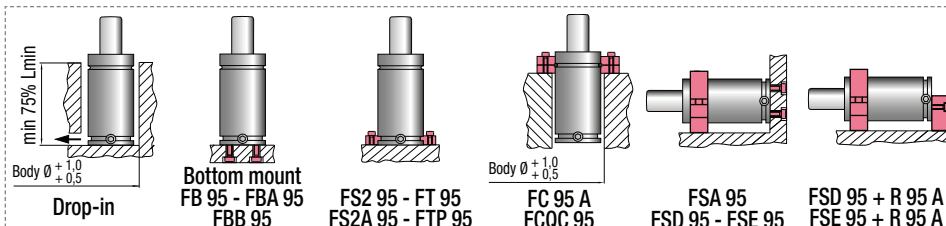
** F_{1p} = Polytropic end force at 100% Cu



N₂	0 - 80 °C 32 - 176 °F	ΔP ± 0,33 %/°C	P max 150 bar 2175 psi	P min 20 bar 290 psi	S 28,27 cm ² 4.382 in ²	SPM ~ 20 - 100 (at 20°C)	Max Speed 1,8 m/s	Maintenance kit 39BMRV04200C
----------------------	--------------------------	---------------------------	-------------------------------------	-----------------------------------	--	---------------------------------------	-----------------------------	--

CODE PHASING OUT from 04/2021	NEW	Cu		L		L min		F ₀		F _{1i} *		F _{1p} **		V ₀		~Kg	~lb	PED 2014/68/EU
		mm	inch	mm	inch	mm	inch	daN	lb	daN	lb	daN	lb	cm ³	in ³			
RG 4200 - 016 - A	◆ RG 4200 - 016 - B	16	0.63	94	3.70	78	3.07	4240 ± 5%	9532	6103	13720	7197	16179	172	10.48	2,98	6.57	✓
RG 4200 - 019 - A	◆ RG 4200 - 019 - B	19	0.75	100	3.94	81	3.19			6269	14093	7458	16767	192	11.71	3,05	6.72	✓
RG 4200 - 025 - A	RG 4200 - 025 - B	25	0.98	112	4.41	87	3.43			6531	14682	7874	17702	232	14.18	3,20	7.05	✓
RG 4200 - 032 - A	RG 4200 - 032 - B	32	1.26	126	4.96	94	3.70			6755	15186	8236	18515	280	17.06	3,38	7.45	✓
RG 4200 - 038 - A	RG 4200 - 038 - B	38	1.50	138	5.43	100	3.94			6902	15517	8475	19052	320	19.52	3,52	7.76	✓
RG 4200 - 050 - A	RG 4200 - 050 - B	50	1.97	162	6.38	112	4.41			7117	16001	8827	19844	401	24.45	3,82	8.42	✓
RG 4200 - 063 - A	RG 4200 - 063 - B	63	2.48	188	7.40	125	4.92			7278	16361	9092	20440	488	29.80	4,15	9.15	✓
RG 4200 - 075 - A	RG 4200 - 075 - B	75	2.95	212	8.35	137	5.39			7386	16604	9272	20843	569	34.73	4,45	9.81	✓
RG 4200 - 080 - A	RG 4200 - 080 - B	80	3.15	222	8.74	142	5.59			7423	16687	9333	20982	603	36.79	4,57	10.08	✓
RG 4200 - 100 - A	RG 4200 - 100 - B	100	3.94	262	10.31	162	6.38			7539	16949	9529	21421	738	45.01	5,07	11.18	✓
RG 4200 - 125 - A	RG 4200 - 125 - B	125	4.92	312	12.28	187	7.36	7639	17173	9696	21798	906	55.29	5,69	12.54	✓		

◆ Disposable



HOW TO ORDER
p. 95

INSTALLATION GUIDELINE
p. 205