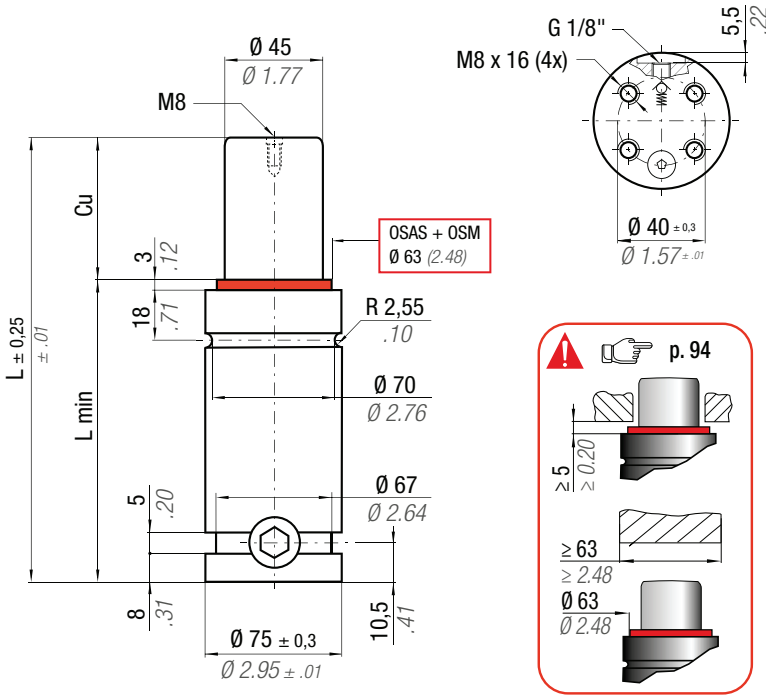


K32D2-2400-50 (Nissan)	EM24.54.700 (Renault)		
------------------------	-----------------------	--	--



**OSAS + OSM** = OVER STROKE ACTIVE SAFETY + OVER STROKE MARKER



Il nuovo codice sarà fornito solo ad esaurimento del vecchio  
 The new code will be supplied only when the old will be out of stock  
 Der neue Kode wird nur angegeben, wenn der alte nicht mehr lieferbar ist  
 Le nouveau code sera fourni uniquement lorsque le vieux stock sera écoulé  
 El nuevo código será suministrado sólo cuando se agoten las existencias del antiguo  
 O novo código irá ser fornecido apenas quando o antigo esgotar stock

**ACTIVE SAFETY**



OSAS



USAS



OPAS

**easu** MANIFOLD p. 247

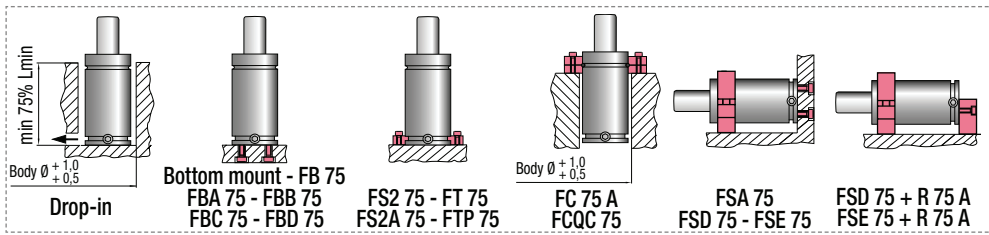
\*  $F_{1i}$  = Isothermal end force at 100% Cu p. 16  
 \*\*  $F_{1p}$  = Polyphropic end force at 100% Cu

RG

	0 - 80 °C 32 - 176 °F	$\Delta P$ ± 0,33 %/°C	P max 150 bar 2175 psi	P min 20 bar 290 psi	S 15,90 cm <sup>2</sup> 2.465 in <sup>2</sup>	SPM ~ 20 - 100 (at 20°C)	Max Speed 1,8 m/s	Maintenance kit 39BMRV02400D
--	--------------------------	---------------------------	------------------------------	----------------------------	---	--------------------------------	----------------------	---------------------------------

CODE PHASING OUT from 04/2021	NEW	Cu		L		L min		F0		F <sub>1i</sub> *		F <sub>1p</sub> **		V0		PED		
		mm	inch	mm	inch	mm	inch	daN	lb	daN	lb	daN	lb	cm <sup>3</sup>	in <sup>3</sup>	~Kg	~lb	2014/68/EU
RG 2400 - 010 - A	◆ RG 2400 - 010 - B	10	0.39	79	3.11	69	2.72	2385 5362 ± 5%	150 bar 2175 psi	3148	7078	3609	8113	77	4.67	1,65	3.64	✓
RG 2400 - 013 - A	◆ RG 2400 - 013 - B	13	0.51	85	3.35	72	2.83			3274	7361	3802	8547	89	5.40	1,70	3.75	✓
RG 2400 - 016 - A	◆ RG 2400 - 016 - B	16	0.63	91	3.58	75	2.95			3376	7590	3960	8903	101	6.13	1,75	3.86	✓
RG 2400 - 019 - A	◆ RG 2400 - 019 - B	19	0.75	97	3.82	78	3.07			3461	7781	4092	9200	113	6.87	1,79	3.95	✓
RG 2400 - 025 - A	RG 2400 - 025 - B	25	0.98	109	4.29	84	3.31			3593	8077	4301	9668	137	8.34	1,89	4.17	✓
RG 2400 - 032 - A	RG 2400 - 032 - B	32	1.26	123	4.84	91	3.58			3705	8329	4479	10070	165	10.04	1,99	4.39	✓
RG 2400 - 038 - A	RG 2400 - 038 - B	38	1.50	135	5.31	97	3.82			3778	8492	4597	10333	189	11.51	2,09	4.61	✓
RG 2400 - 050 - A	RG 2400 - 050 - B	50	1.97	159	6.26	109	4.29			3883	8730	4768	10719	237	14.44	2,28	5.03	✓
RG 2400 - 063 - A	RG 2400 - 063 - B	63	2.48	185	7.28	122	4.80			3961	8905	4896	11006	289	17.62	2,49	5.49	✓
RG 2400 - 075 - A	RG 2400 - 075 - B	75	2.95	209	8.23	134	5.28			4014	9023	4982	11199	337	20.55	2,68	5.91	✓
RG 2400 - 080 - A	RG 2400 - 080 - B	80	3.15	219	8.62	139	5.47	4031	9063	5011	11266	357	21.78	2,75	6.06	✓		
RG 2400 - 100 - A	RG 2400 - 100 - B	100	3.94	259	10.20	159	6.26	4088	9189	5104	11474	437	26.67	3,07	6.77	✓		
RG 2400 - 125 - A	RG 2400 - 125 - B	125	4.92	309	12.17	184	7.24	4134	9293	5180	11646	537	32.79	3,46	7.63	✓		

◆ Disposable



**HOW TO ORDER**

p. 95

**INSTALLATION GUIDELINE**

p. 205