


ACTIVE SAFETY

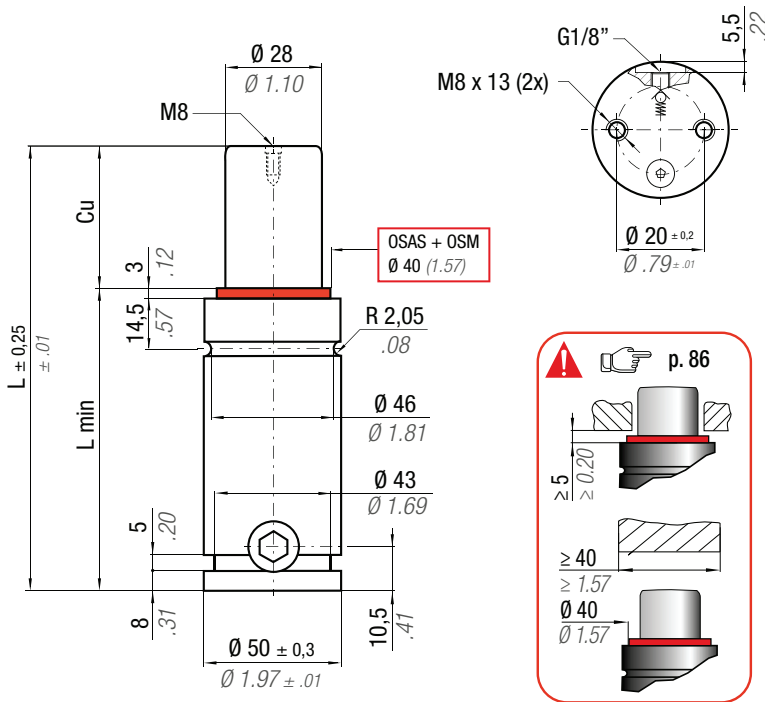

OSAS



USAS



OPAS


OSAS + OSM = OVER STROKE ACTIVE SAFETY + OVER STROKE MARKER

Il nuovo codice sarà fornito solo ad esaurimento del vecchio

The new code will be supplied only when the old will be out of stock

Der neue Kode wird nur angegeben, wenn der alte nicht mehr lieferbar ist

Le nouveau code sera fourni uniquement lorsque le vieux stock sera épuisé

El nuevo código será suministrado sólo cuando se agoten las existencias del antiguo

O novo código irá ser fornecido apenas quando o antigo esgotar stock

 * F_{1i} =

Isothermal end force at 100% Cu



p. 16

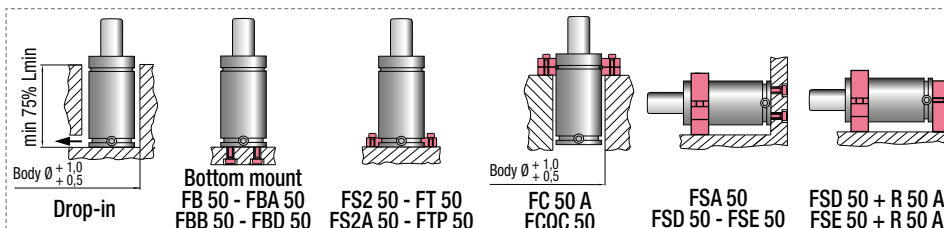
 ** F_{1p} =

Polyphropic end force at 100% Cu



N ₂		0 - 80 °C 32 - 176 °F	ΔP ± 0,33 %/°C	P max 150 bar 2175 psi	P min 20 bar 290 psi	S 6,15 cm ² 0.953 in ²	SPM ~ 20 - 100 (at 20°C)	Max Speed 1,8 m/s	Maintenance kit 39BMRV01000C
CODE	NEW	Cu	L	L min	F ₀	F _{1i} *	F _{1p} **	V ₀	PED
PHASING OUT from 04/2021		mm inch	mm inch	mm inch	Initial force daN lb	End force * daN lb	End force ** daN lb	cm ³ in ³	~Kg ~lb 2014/68/EU
RF 1000 - 013 - A	◆ RF 1000 - 013 - B	13 0.51	74 2.91	61 2.40	920 2068 ± 5% 150 bar 2175 psi + 20 °C +68 °F	1370 3079	1631 3667	28,4 1.73	0,65 1.43 ✓
RF 1000 - 016 - A	RF 1000 - 016 - B	16 0.63	80 3.15	64 2.52		1407 3163	1690 3800	33,1 2.02	0,68 1.50 ✓
RF 1000 - 019 - A	RF 1000 - 019 - B	19 0.75	86 3.39	67 2.64		1436 3229	1737 3906	37,7 2.30	0,70 1.54 ✓
RF 1000 - 025 - A	RF 1000 - 025 - B	25 0.98	98 3.86	73 2.87		1479 3326	1807 4062	47,1 2.87	0,75 1.65 ✓
RF 1000 - 032 - A	RF 1000 - 032 - B	32 1.26	112 4.41	80 3.15		1514 3403	1863 4187	58,0 3.54	0,81 1.79 ✓
RF 1000 - 038 - A	RF 1000 - 038 - B	38 1.50	124 4.88	86 3.39		1535 3451	1897 4266	67,4 4.11	0,85 1.87 ✓
RF 1000 - 050 - A	RF 1000 - 050 - B	50 1.97	148 5.83	98 3.86		1564 3517	1946 4375	86,1 5.25	0,95 2.09 ✓
RF 1000 - 063 - A	RF 1000 - 063 - B	63 2.48	174 6.85	111 4.37		1585 3564	1981 4453	106,3 6.49	1,05 2.31 ✓
RF 1000 - 075 - A	RF 1000 - 075 - B	75 2.95	198 7.80	123 4.84		1599 3594	2003 4503	125,0 7.63	1,15 2.54 ✓
RF 1000 - 080 - A	RF 1000 - 080 - B	80 3.15	208 8.19	128 5.04		1603 3605	2011 4520	132,8 8.10	1,19 2.62 ✓
RF 1000 - 100 - A	RF 1000 - 100 - B	100 3.94	248 9.76	148 5.83	1618 3636	2034 4573	164,0 10.01	1,35 2.98 ✓	
RF 1000 - 125 - A	RF 1000 - 125 - B	125 4.92	298 11.73	173 6.81	1629 3663	2054 4617	202,9 12.38	1,55 3.42 ✓	

◆ Disposable


HOW TO ORDER

p. 87

INSTALLATION GUIDELINE

p. 205