



SW

Il nuovo codice sarà fornito solo ad esaurimento del vecchio

The new code will be supplied only when the old will be out of stock

ACTIVE SAFETY



OSAS

Der neue Kode wird nur angegeben, wenn der alte nicht mehr lieferbar ist

Le nouveau code sera fourni uniquement lorsque le vieux stock sera écoulé

El nuevo código será suministrado sólo cuando se agoten las existencias del antiguo

O novo código irá ser fornecido apenas quando o antigo esgotar stock



USAS

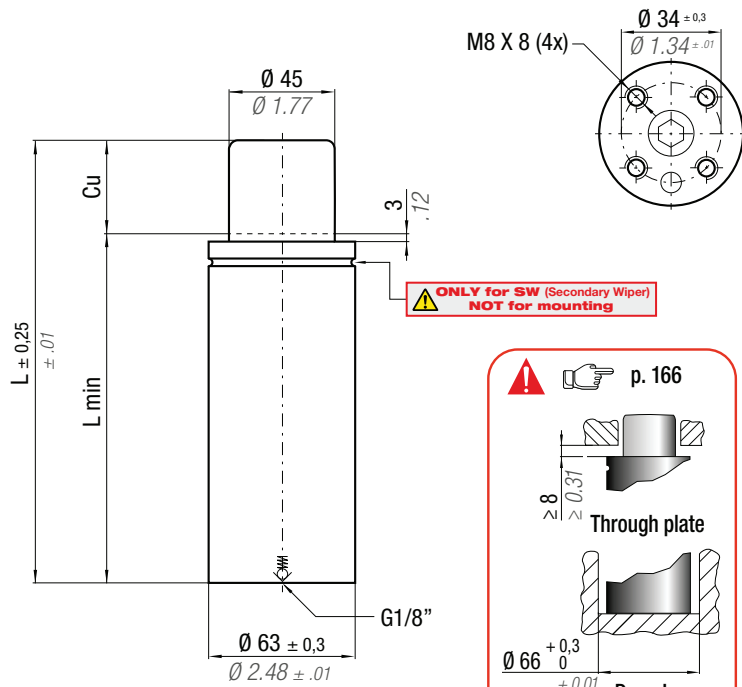
easu MANIFOLD p. 247



OPAS

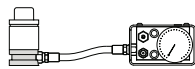
* F_{1i} = Isothermal end force at 100% Cu p. 16

** F_{1p} = Polytrophic end force at 100% Cu



N ₂		0 - 80 °C 32 - 176 °F	ΔP ± 0,33 %/°C	P max 200 bar 2900 psi	P min 20 bar 290 psi	S 15,90 cm ² 2.464 in ²	SPM ~ 40 - 80 (at 20°C)	Max Speed 1,6 m/s	Maintenance kit 39BMMML03000C
CODE	NEW	Cu	L	L min	F ₀	F _{1i} *	F _{1p} **	V ₀	
PHASING OUT from 05/2019		mm inch	mm inch	mm inch	Initial force	End force *	End force **	cm ³ in ³	~Kg ~lb
ML 3000 - 015 - C	ML 3000 - 015 - D	15 0.59	100 3.94	85 3.35	3180 7149	4461 10029	5023 11291	105 6.40	1,25 2.76
ML 3000 - 025 - C	ML 3000 - 025 - D	25 0.98	120 4.72	95 3.74	± 5%	5013 11270	5781 12997	136 8.27	1,38 3.04
ML 3000 - 038 - C	ML 3000 - 038 - D	38 1.50	150 5.91	112 4.41	200 bar	5362 12054	6269 14094	184 11.22	1,57 3.46
ML 3000 - 050 - C	ML 3000 - 050 - D	50 1.97	180 7.09	130 5.12	2900 psi	5491 12344	6452 14505	233 14.24	1,78 3.92
ML 3000 - 063 - C	ML 3000 - 063 - D	63 2.48	210 8.27	147 5.79		5658 12720	6690 15039	282 17.19	1,98 4.37
ML 3000 - 080 - C	ML 3000 - 080 - D	80 3.15	250 9.84	170 6.69	+20 °C +68 °F	5793 13023	6882 15472	347 21.14	2,24 4.94

KIT FOR LINKING



code: 39FML03000B



Seal (1x)



Washer (6x)



Screw (3x)



Bottom base (1x)



Valve (1x)

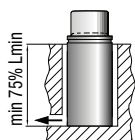
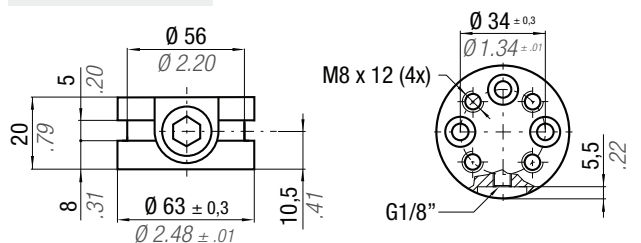


Instructions

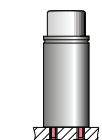


Sostituire ogni 1.000.000 di cicli. Replace every 1 million cycles. Nach 1 Mio. Hübe austauschen. Reemplazar a cada 1 millón de ciclos. Substituir a cada 1 milhão de ciclos.

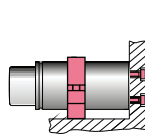
Bottom base dimension



Drop-In



Bottom mount



FSC 63 - FSD 63

HOW TO ORDER

p. 167

INSTALLATION GUIDELINE

p. 205